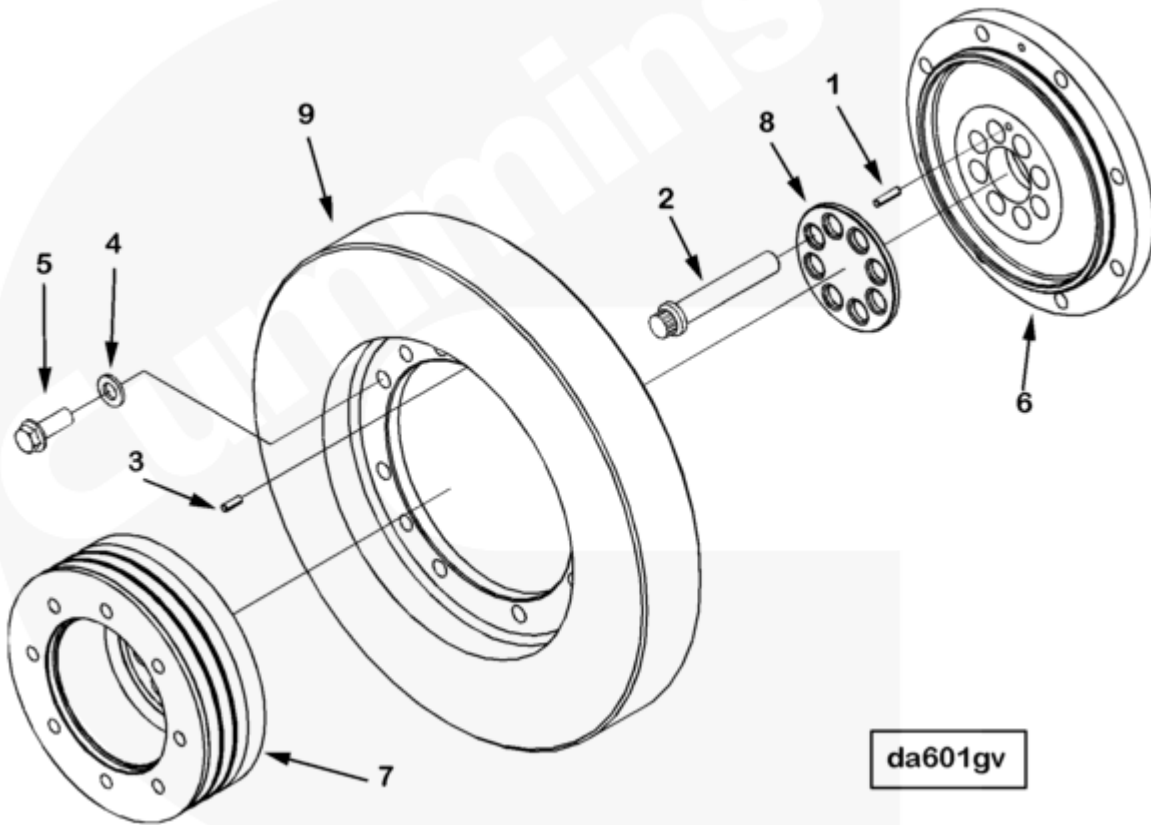




Parts Catalog - Option Detail

Electronic Parts Catalog - Option Detail				
Option	Group	Graphic	Film Card	Date
DA6114-02	01.02.2	da601gv	K38	06-DEC-04
Engines	GTA38, K38, KTA38GC CM558, QSK38 CM2150 K106, QSK38 CM2150 MCRS, QSK38 CM850 MCRS			

©Cummins Inc



SMALL | MEDIUM | LARGE

Cart	Ref No	Part Number	Part Description	Required	Remarks
View My Cart					
		DA6114-02	Vibration Damper		Single vibration damper with...(More)
					press fit crankshaft adapter
					and three groove
					Crankshaft pulley, 9inches in
					diameter for 1/2 inch belts.
<input type="checkbox"/>	1	3033629	Roll Pin	1	

<input type="checkbox"/>	2	3036846	Fracture Resistant Screw	8	3/4 - 16 x 4 1/2 in.
<input type="checkbox"/>	3	131584	Roll Pin	1	
<input type="checkbox"/>	4	3033626	Plain Washer	8	1/2 in.
<input type="checkbox"/>	5	3034574	Hexagon Flange Head Cap Screw	8	9/16 - 18 x 1 7/16 in.
<input type="checkbox"/>	6	3069776	Crankshaft Adapter	1	
<input type="checkbox"/>	7	3069777	Crankshaft Pulley	1	
<input type="checkbox"/>	8	3069781	Crankshaft Spacer	1	
<input type="checkbox"/>	9	3628652	Viscous Vibration Damper	1	

© 2019 Cummins Inc., Box 3005, Columbus, IN 47202-3005 U.S.A.
Terms of Use and Disclaimers | Recommended System Requirements
Need Assistance? Please click on the Contact Us button in the top right corner of any page.